

PUMP HEAD ASSEMBLY

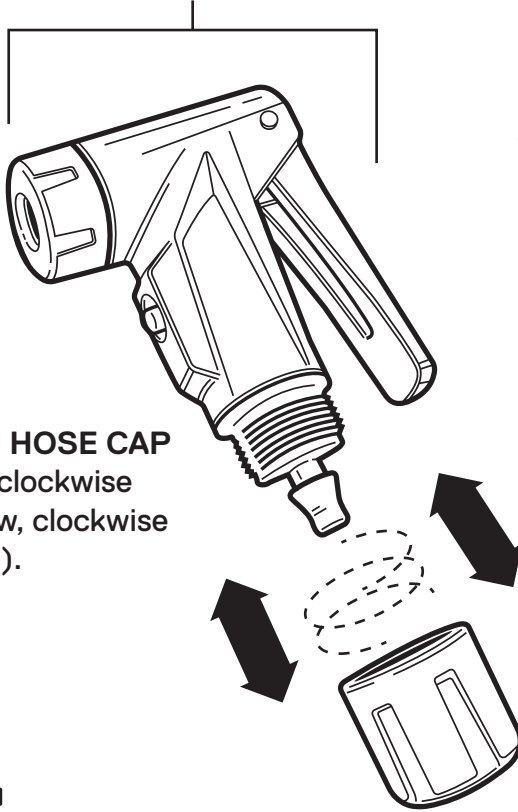
T3-HEAD

AIR FORCE TIER 3

1.

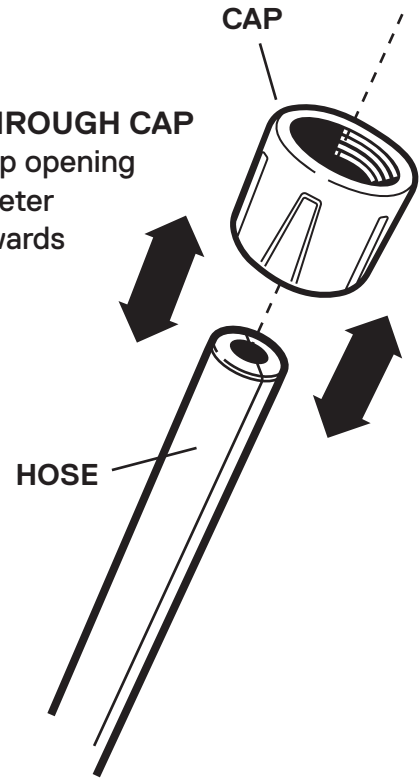
PUMP HEAD
(T3-HEAD - Air Force Tier 3)

REMOVE HOSE CAP
(counter-clockwise
to unscrew, clockwise
to tighten).



2.

THREAD HOSE THROUGH CAP
smaller diameter cap opening
is front, larger diameter
opening is rear (towards
pump head body).



3.

(a) PUSH HOSE-END FIRMLY ONTO HOSE NIPPLE
hose end should be flush against flat surface past hose
nipple barb.

(b) TIGHTEN CAP (clockwise) BACK ONTO HEAD
tighten cap until finger tight, cap should screw onto
head smoothly, if not, be sure cap is not cross-threaded
and threads are clean of dirt and/or debris.

