



SERFAS®

2333 W. Utopia Rd, Phoenix, AZ 85027

Bike Case Instructions

1. Open Serfas Bike Case, place top half on ground and set aside the three foam sections.
2. Disassemble bicycle. Remove pedals, seat-post and stem. Keep saddle attached to seat-post for easier transport. Before you remove seat-post and loosen the stem from headset, be sure and mark seat-post height and stem position with a piece of tape to ensure proper saddle and stem height. Use string or zip ties to attach chain to chain stay to eliminate chain from chipping paint.
3. Place one piece of foam on bottom half of the case. Remove skewers from both wheels before placing in the case. Place wheels on top of foam.

(Illustration #2)

4. Place second piece of foam over wheels. Place bike frame on foam. Remove handlebar and stem and place in position. Place dropout holders in dropouts. Place handlebars and stem within the middle of the main triangle of the frame

(Illustration #3). Place straps through metal interior loops. Strap frame into the middle of the case. Pull straps tight.

(Illustration #4)

5. Before you place the last piece of foam on top of the frame, be sure you have done the following. Place seat and seat post in cloth bag or towel. Even though the foam does protect your bike and parts and applies ample pressure to each respective item, there could be some slight movement during the transportation process.
6. Place last piece of foam on top of frame and accessories. Place the top of case over bottom of case. Secure both halves of case by turning the latches in a clockwise rotation. All four butterfly latches do have separate locking loops that accept most types of padlocks.

*** As stated above, take extra care in packing your bike. If items are loose during transit, this could increase the risk of paint chips or dents.**

Illustration #1

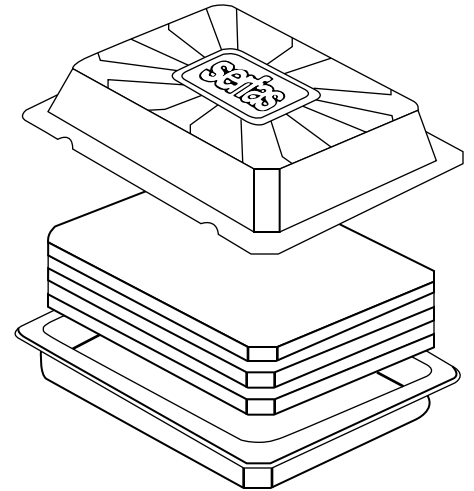


Illustration #2

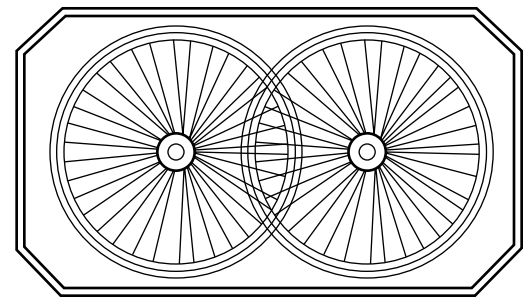


Illustration #3

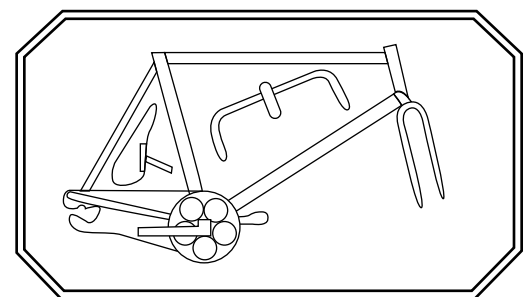
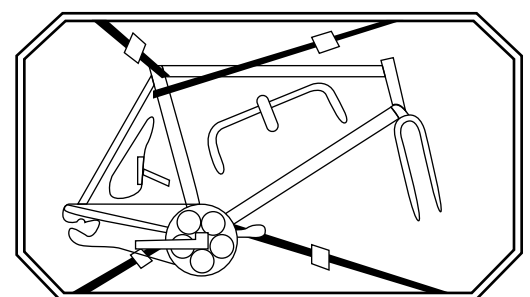


Illustration #4



SERFAS, INC. 2333 W. Utopia Rd. Phoenix, AZ 85027

Ph: 623.888.5840 or TOLL FREE: 800.424.0047

Fx: 623.215.0407   